

# USER GUIDE AND INSTALLATION MANUAL POWER BEAR CLAW LATCHES

## BCSMP and BCLGP

### USER GUIDE

1. If applicable, remove door panel and original door latch mechanism.
2. Inspect the door shell to confirm the latch will clear all other parts, such as the door glass channel and door braces.
3. Determine new mounting position for AutoLöd™ Bear Claw Latch and Bear Claw Installation Kit.
4. Using new bear claw installation plate as template, cut out a new hole in door shell for the plate to be welded.
5. Double check clearance before welding is started.
6. Weld in AutoLöd™ Installation Plate to desired location.
7. You will need 4 bolts, nuts and washers per side to attach Power Bear Claw to inside of door skin. Since vehicles vary, you will need to find the correct bolts, nuts and washers for your application at your local hardware store.
8. Attach bracket to bear claw with bolts and tighten.
9. Attach actuator and plate to the bracket. Use 3 provided

allen head screws.

10. Connect plunger of actuator to the latch release with supplied hardware.

11. Connect 2 wires.

*\*Note: See wiring diagrams for your application.*

12. Hook up all rods/cables for proper working interior/exterior door handles.

13. Using other installation plate for striker bolt, mark and cut out a new hole in door jamb.

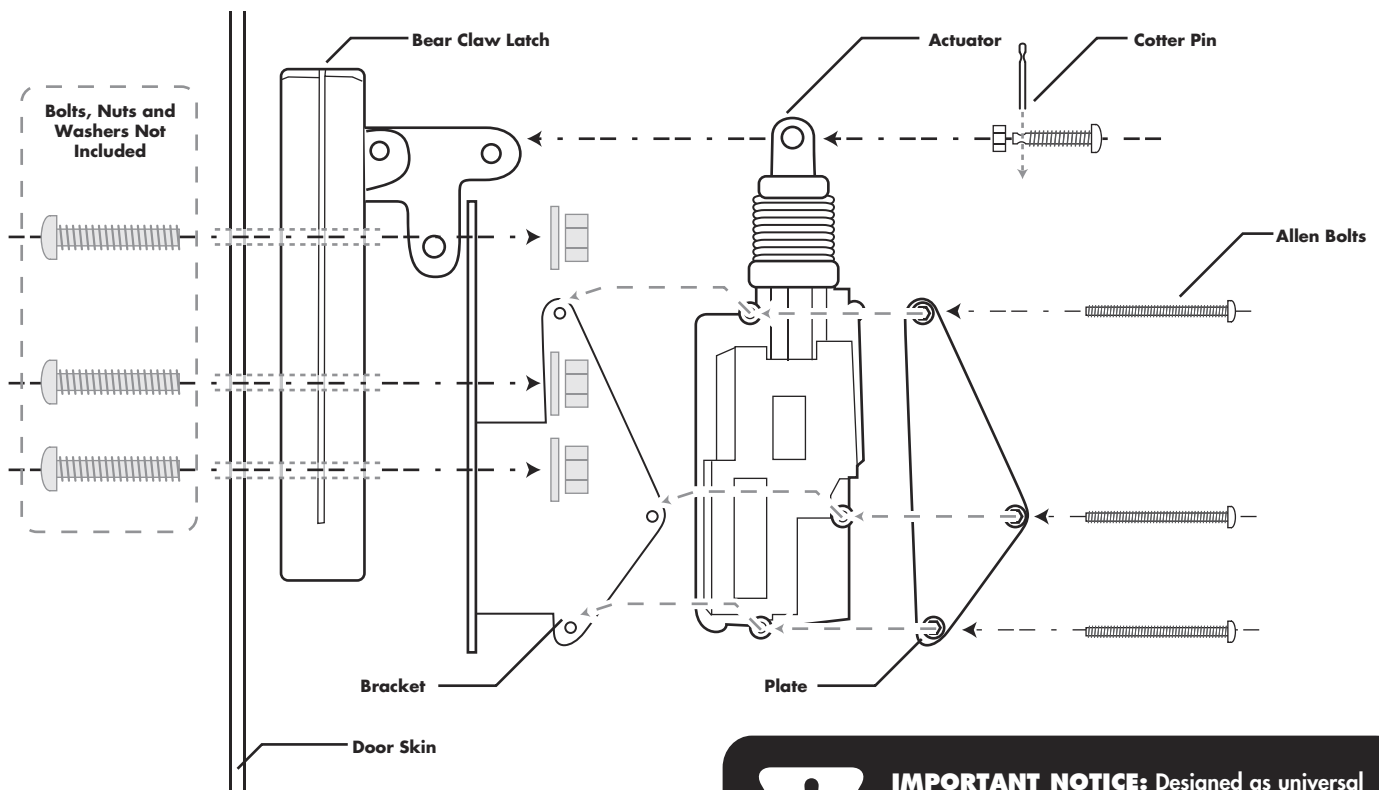
14. Check that striker and bear claw latch will be able to align after all parts are tightened.

15. Weld in striker bolt mounting plate and screw in striker bolt.

16. Shut door to test and align striker and latch for smooth shutting doors.

17. Repeat for other door.

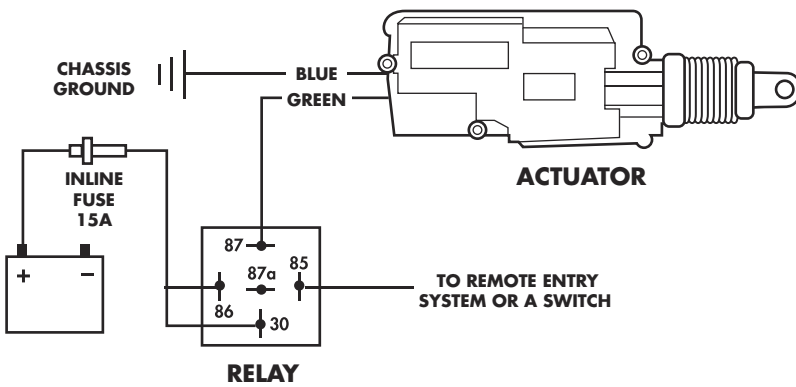
### ASSEMBLY



**IMPORTANT NOTICE:** Designed as universal kit. Kits requires cutting and welding skills. Contact Tech Support for any addition questions.

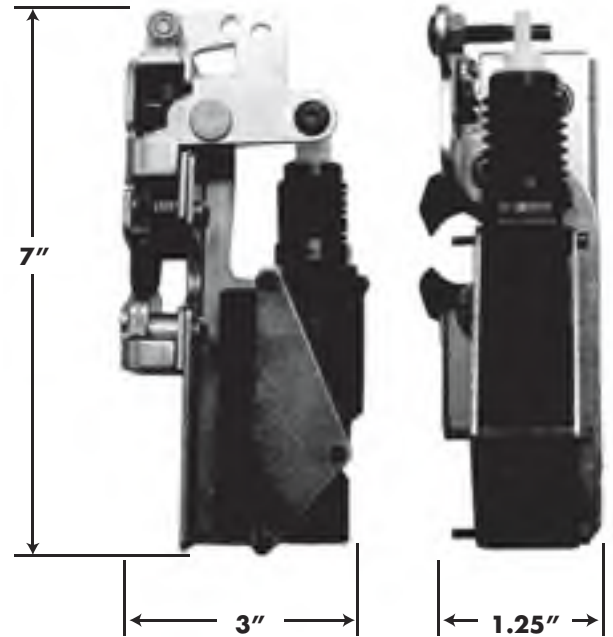
## BCSMP - Small Power Bear Claw Latch

### WIRING DIAGRAM



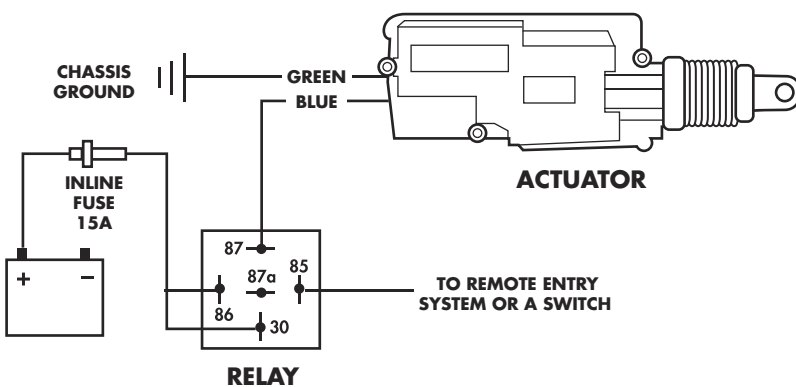
**REMOTE OPERATION:** See your Remote Entry System's instructions for more details.

### SPECIFICATIONS



## BCLGP - Large Power Bear Claw Latch

### WIRING DIAGRAM



**REMOTE OPERATION:** See your Remote Entry System's instructions for more details.

### SPECIFICATIONS

